

# CSR series

## Current Sensing Resistors

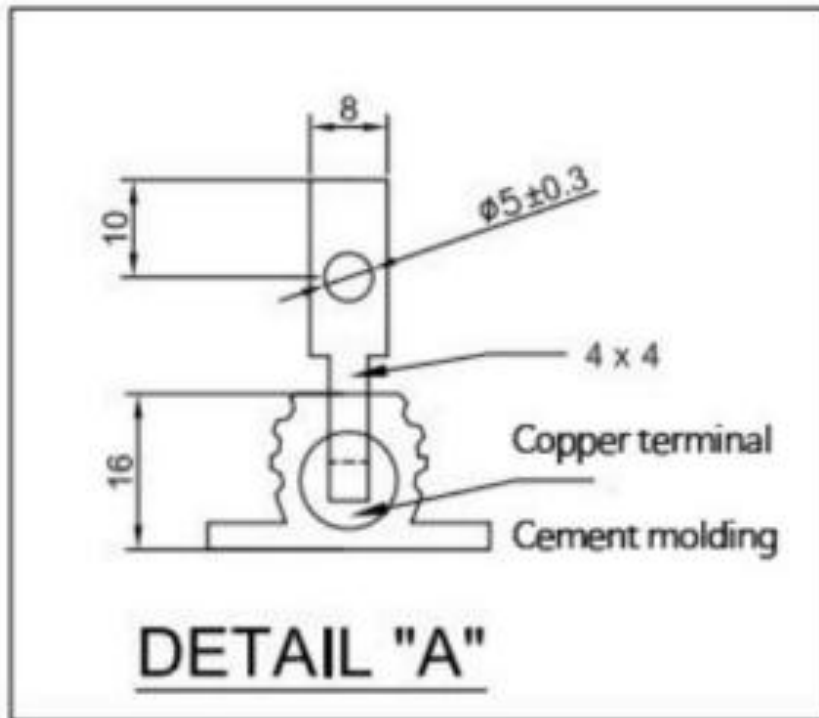
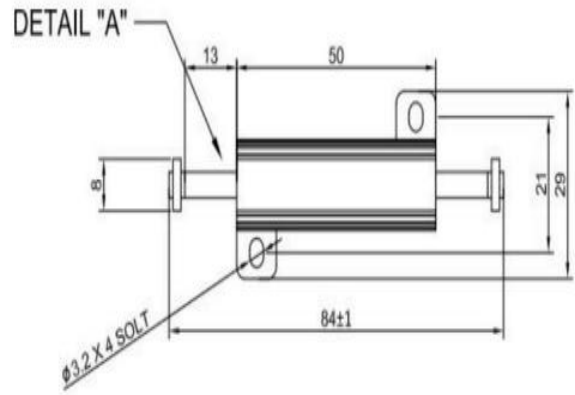
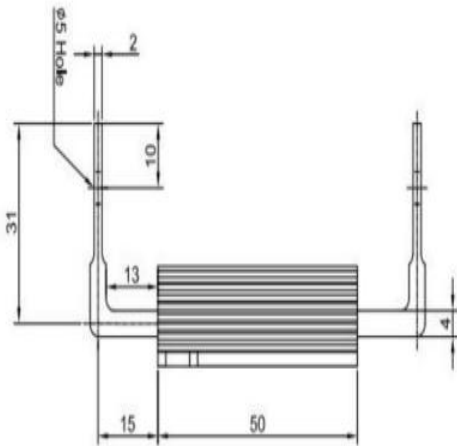


- Power Rating 50W
- High Temperature : -55°C to +250°C
- Excellent Pulse Handling
- Resistance Range 0.01 to 0.07 Ohms
- Tolerances to  $\pm 0.1\%$  ~  $\pm 1.0\%$
- Low TCR :  $\pm 50\text{ppm/K}$  Standard
- Two Terminal Versions Available

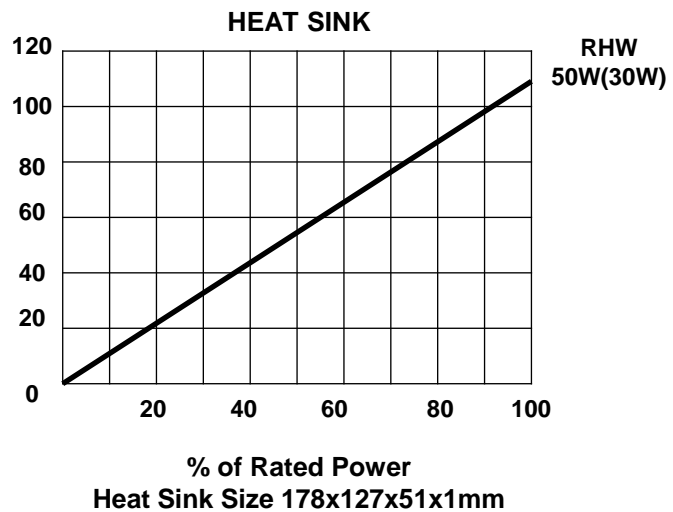
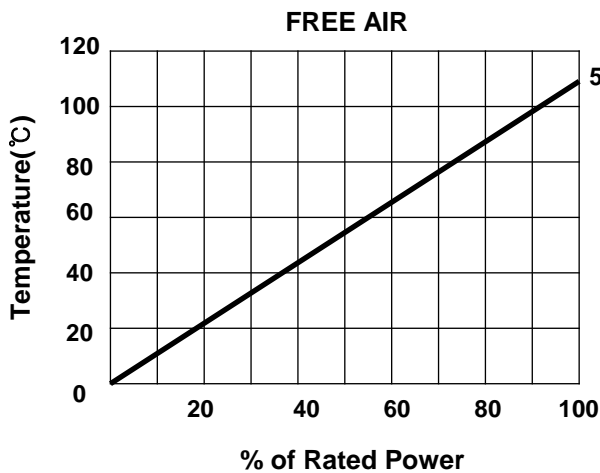
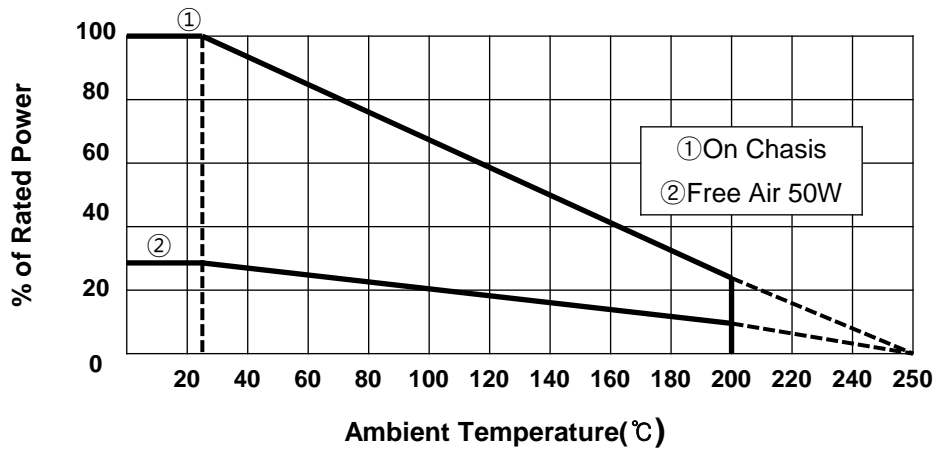
### ■ SPECIFICATIONS

ITEM	SPECIFICATIONS
Operating Temp	-55 ~250°C
Resistance Range	0.0125Ω ~0.07Ω
Power	50W (W/O Heat Sink)
Temperature Coefficient	Max $\pm 30\text{ppm}/^\circ\text{C}$
Insulation Resistance	1MΩ minimum
Dielectric Withstanding Voltage	AC2500V for 1min, Max leakage current : 2mA
Operating Voltage	0.79V ~1.77V
Maximum Current	64A
Load Life	200,000 Cycles ( $\pm 1\%$ +0.05Ω)
Mechanical Vibration	100G, 6ms Half Sine, 3Time /Axis, Total 6Axis $\pm 1\%$ 0.05Ω
Shot Time Overload	5 x for 5Sec $\pm 2\%$ + 0.05Ω

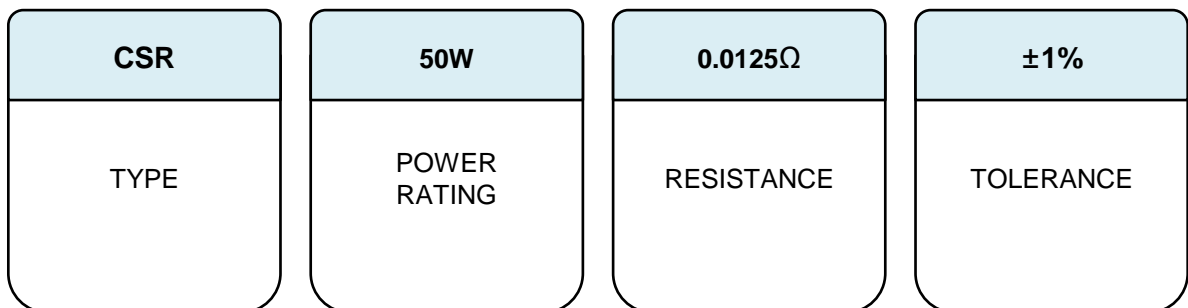
■ DIMENSIONS



## ■ SURFACE TEMPERATURE INCREASE VERSUS POWER LOAD & RERATING CURVES



## ■ HOW TO ORDER



[www.resistors.co.kr](http://www.resistors.co.kr)

Tel +82-7648216