

IRHB-S Series (100W ~500W) Metal Clad Resistor

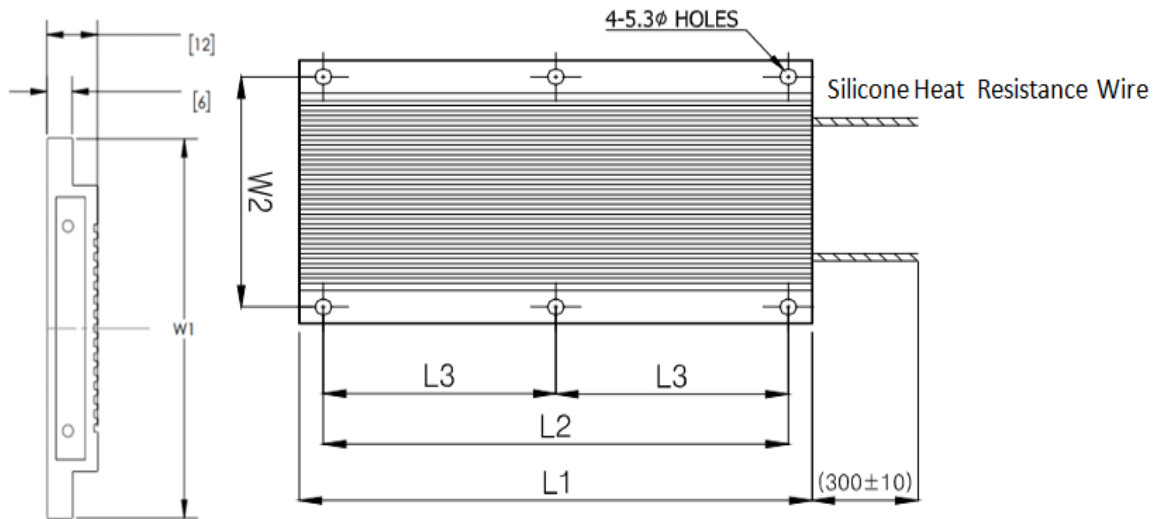


- Ultra Slim 12mm Profile
- Compact Packaging
- Wire Wound Technology
- Power Ratings from 100 to 500 Watts
- Resistance range of 1Ω to 5KΩ
- Tolerances of 1%, 5%, or 10%

■ SPECIFICATIONS

Test item	Test Condition	Test time	Reference
High Temperature Exposure)	150℃	1,000hr	MIL-STD-202 Method 108
Temperature Cycle	(-55 ~ 150)℃	1hr/cycle, 1,000cycle = 1,000hr	JESD22-A104
Biased Humidity	85℃, 85%R.H.	1,000hr	MIL-STD-202 Method 103
Operational Life	150℃	1,000hr	MIL-STD-202 Method 108
Mechanical Shock	100G, 6ms, 3Time/6-axis	-	MIL-STD-202 Method 213
Vibration Test	(10~2,000) Hz, 5G, 4hr each axis, 3 axes total	-	MIL-STD-202 Method 204
Resistance to Soldering Heat	(260±5)℃,	-	MIL-STD-202 Method 210
Solderability	(235±5)℃,	(5±0.5)s	J-STD-002
Resistance to Solvent	* Solvent 3 1. Solvent A) Isopropyl Alcohol : Mineral Spirits = 1 : 3 2. Solvent C) Terpene Defluxer 3. Solvent D) Water : Propylene glycol monomethyl ether Monoethanolamine = 42 : 1 : 1	-	MIL-STD-202 Method 215
Terminal Strength	1. Wire Type : Pull Test / Force 40N (Nominal cross-sectional area≥1.20mm ²) 2. Flat pin Type	-	MIL-STD-202 Method 211
Withstand voltage test	2500Vac	60sec	AEC-Q200
Insulation resistance	1000VDC / 1000MΩ	60sec	AEC-Q200
ESD	Direct Contact(6kV) ~ Air Discharge(12~25kV)	-	AEC-Q200-002

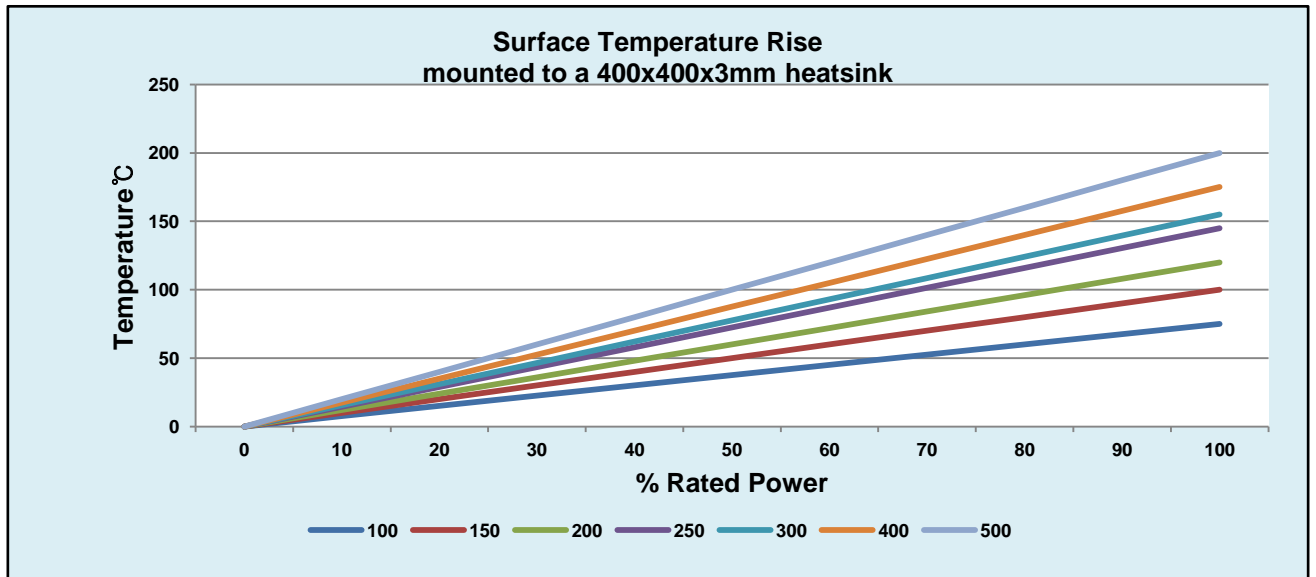
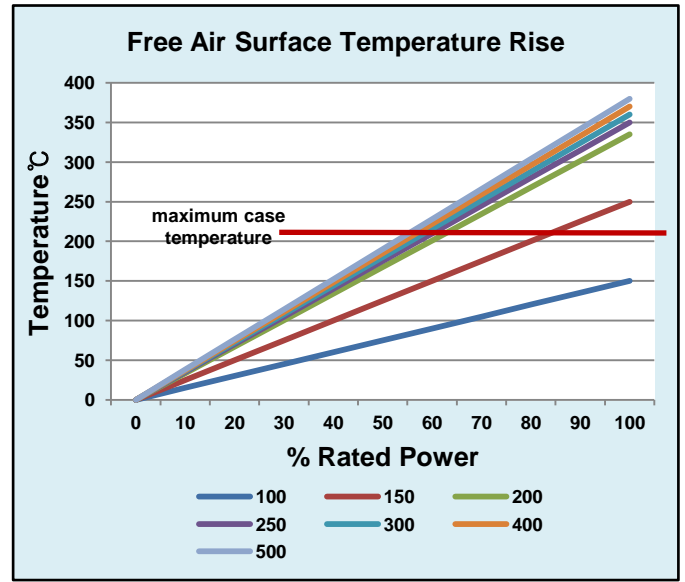
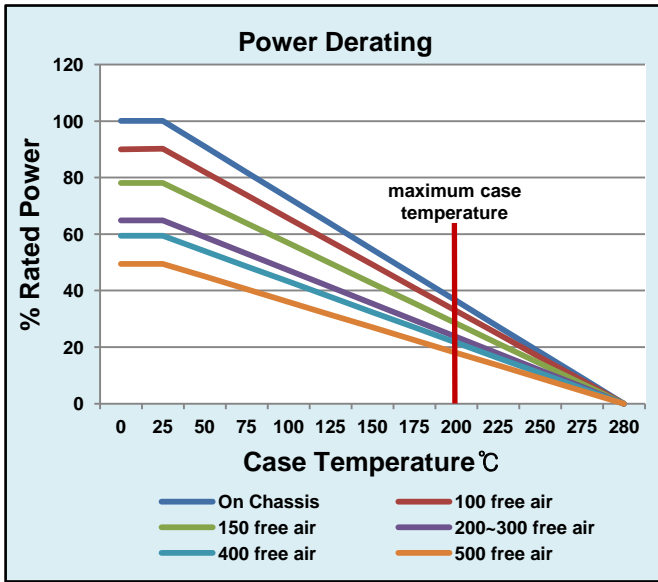
■ DIMENSIONS



IRHB-S 300W ,400W, 500W Have 6 mounting holes
 Exact locations for the additional holes
 Are shown in between the corner mounting holes
 $L2[L3=1/2 \text{ of } L2]$

Power Rating	Resistance Range (Ω)	DIMENSIONS(mm)				Weight(g)
		$L1 \pm 1$	$L2 \pm 0.5$	$W1 \pm 0.5$	$W2 \pm 0.5$	
IRHB-S 100W	1 ~1.0K	90	70	80	70	180
IRHS-B 150W	1 ~1.0K	120	100	80	70	240
IRHB-S 200W	1 ~2.0K	150	130	80	70	280
IRHS-B 250W	1 ~2.5K	180	160	80	70	330
IRHB-S 300W	1 ~3.0K	210	190	80	70	380
IRHS-B 400W	1 ~4.0K	270	250	80	70	485
IRHB-S 500W	1 ~5.0K	330	310	80	70	610

■ SURFACE TEMPERATURE INCREASE VERSUS POWER LOAD



■ HOW TO ORDER

IRHA100
TYPE

W/N
WINDING METHOD W: Inductive Type N: Non- Inductive Type

50Ω
NOMINAL RESISTANCE

J
RESISTANCE TOLERANCE

www.resistors.co.kr

Tel +82-7648216