

RB

High Voltage Discharge Resistors for Automobile



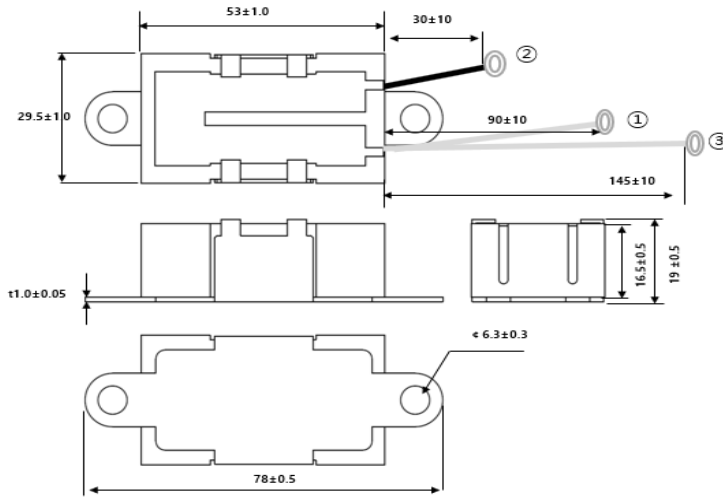
**Automotive Grade
AEC-Q200**

- Power Rating from 20W
- Resistance Range of 10KΩ to 100KΩ
- Tolerances of 5%, or 10%
- Compact Design
- All Materials Are Fire Resistant
- Very Good Thermal Insulation

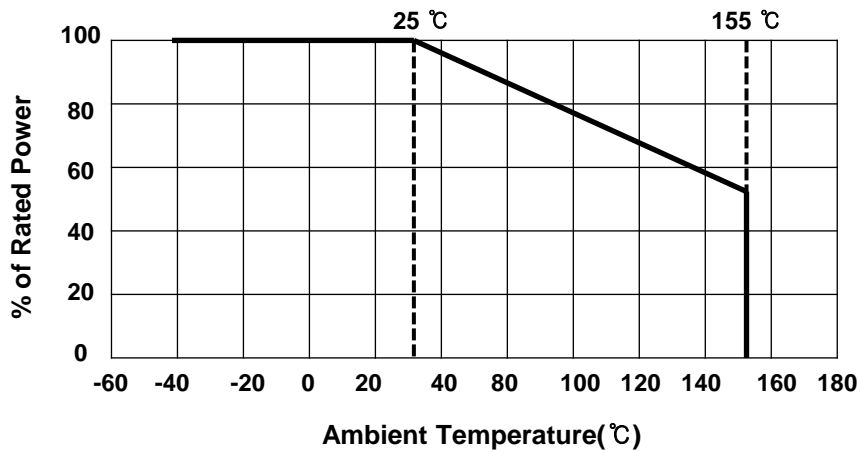
■ SPECIFICATIONS

ITEMS	SPECIFICATION LIMITS
Operating Temp. Range	-55℃ ~ +150℃
Power Rating	20W
Resistance Range	10KΩ ~100KΩ ± 5%
TCR	±400ppm/℃ Max.
Load Life	±(1%) 105℃ . 1000h . DC700V
Insulation pressure resistance test	Voltage :3400VDC /60SEC
Short-time overload	±(2%) Rated Power × 5 for 5 sec.
Dielectric Withstanding Voltage	±(2%) AC2500V. 60sec
Insulation Resistance	±(2%) 500MΩ 1000VDC
Thermal shock	±(2%) -55℃ . +125℃ Each dwell time 30min . 1000cycle
High Temperature & humidity	±(2%) 85℃ , 85~90% ,1000h
Vibration	Voltage :700VDC, Hz 100(30m/s)200(60m/s) 440(60ms) /X.Y.Z
Mechanical shock Vibration	Voltage :700VDC / shock form: half-sine/peak acceleration: 100g /pulse width: 6ms /shocks: 400 times in each of the three axial directions of the X, Y, Z, with a total of 2,400 times
Tensile strength test	5kg
Weight (g)	85±10

■ DIMENSIONS



■ POWER DERATING CURVE



■ HOW TO ORDER

RB	20W	69KΩ	J
TYPE	POWER RATING	RESISTANCE	TOLERANCE ±1%

www.resistors.co.kr

Tel +82-7648216