

PRHW series (100W)

Metal Clad Wire Wound Resistors for Automobile



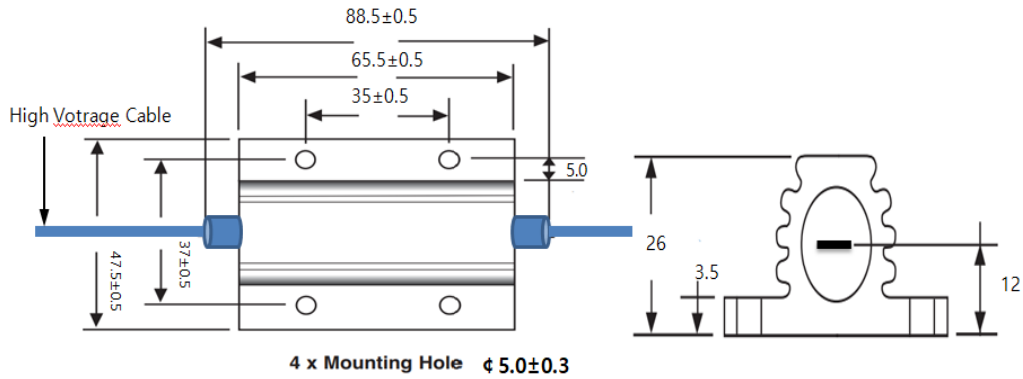
- Power Ratings 100Watts
- Resistance Range of 10Ω ~ 250Ω
- Non-Inductive Winding Available
- Tolerances of 0.5% 1 %, 5%, or 10%
- Compact Packaging

**Automotive Grade
AEC-Q200**

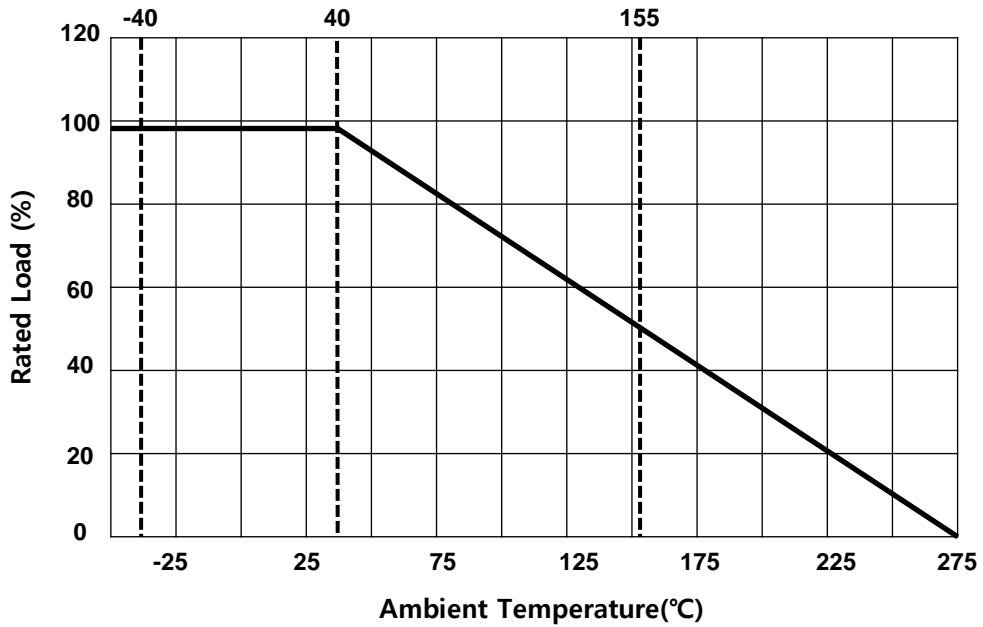
■ SPECIFICATIONS

ITEM	SPECIFICATIONS	
Resistance		10 ~ 250Ω±5%
Power Rating		100W±5% (W/O Heat Sink)
TCR		± 220ppm
Operating Voltage		≥1000V (200msec)
Maximum Current		15A
Dielectric Voltage		4500V
Insulation Resistance		100MΩ
High Temperature Storage	(±1% +0.05Ω)	125°C, 1000 hr
High Temperature & Humidity	(±3% +0.05Ω)	85°C, 85% RH, 1000h, 10 % of operating power, 1000hr,
Operational Life	(±3% +0.05Ω)	125°C at Rated power, 1000hr,
Operating Temp	(±2% +0.05Ω)	-40 ~85 °C
Temperature Cycling	(±2% +0.05Ω)	(-55 - 125)°C, Each dwell time, 30 min, 1h/cyc, 1000 cycle,
Load Life	(±3%+0.05Ω)	300,000 cycles
Short duration	(±2% +0.05Ω)	200ms @ 15A
Mechanical Vibration	(±1% +0.05Ω)	100G, 6ms Half Sine, 3 Time/Axis, Total 6 Axis
Short Time Overload	(±2% +0.05Ω)	5X for 5sec
Charging/Discharging Test	(±3%+0.05Ω)	95% ~ 98% Precharging Ratio. 300,000 cycle,
Short Circuit	(±2% +0.05Ω)	Pulse Duration : 200ms. Cycle Time : 2sec.
		1 Time : 5 Cycles. Total : 5 Times
Failure Test		500msec ~ 1sec
Terminations		Wire length 200±10mm. High voltage cable
Weight (g)		125g

■ DIMENSIONS



■ POWER DERATING CURVE



■ HOW TO ORDER

PRHW	W	100W	100Ω	J
TYPE	STYLE	POWER RATING	NOMINAL RESISTANCE	RESISTANCE TOLERANCE

www.resistors.co.kr

Tel +82-7648216